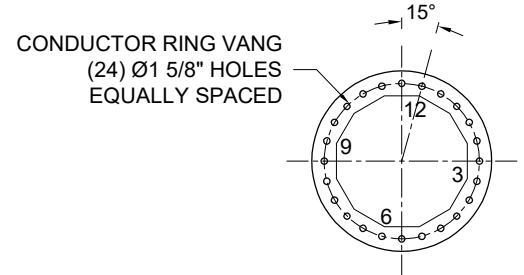
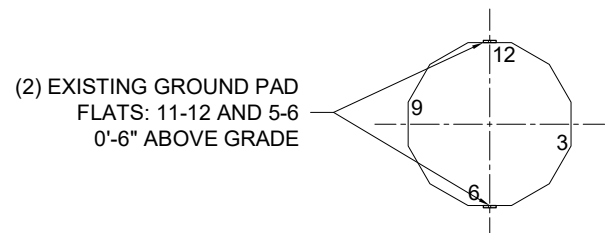


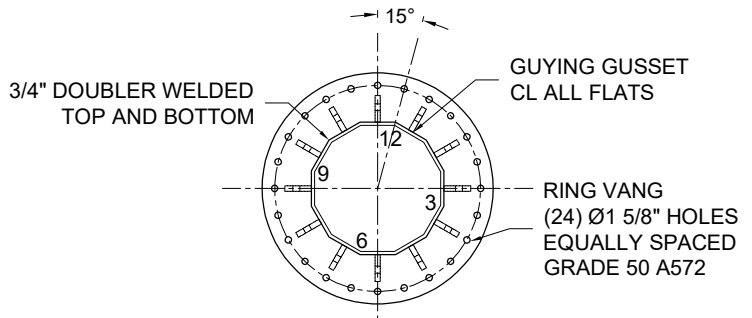
SECTION A-A
POLE CAP



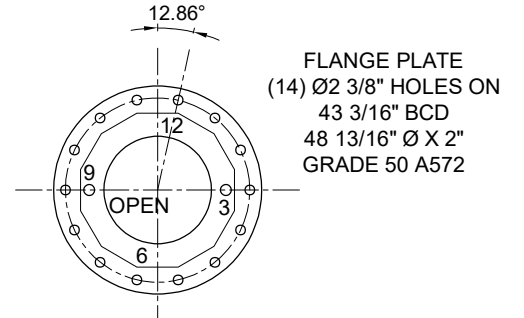
SECTION E-E
RING VANG



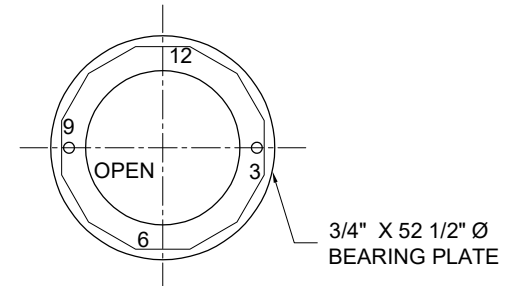
SECTION H-H
GROUND PAD



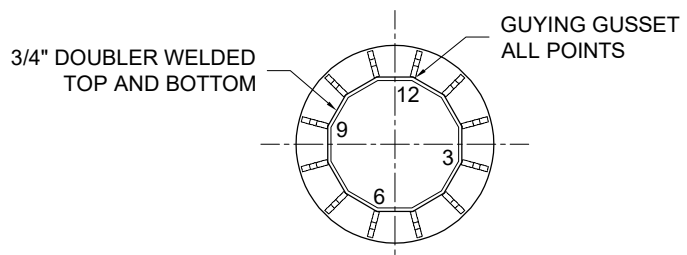
SECTION B-B
RING VANG AND
GUYING GUSSETS ON FLATS



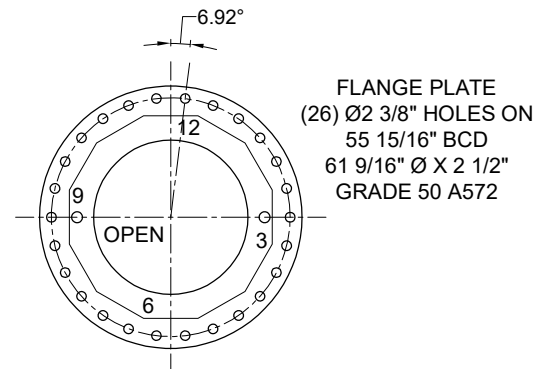
SECTION F-F
FLANGE PLATE 6001



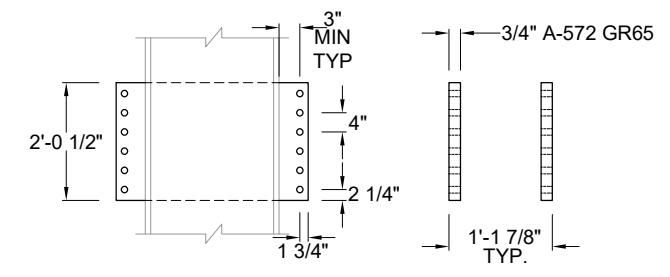
SECTION I-I
BEARING PLATE



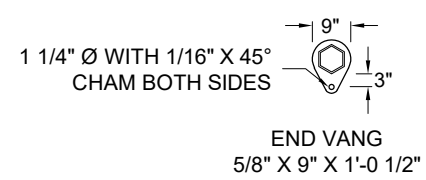
SECTION C-C
GUYING GUSSETS ON POINTS



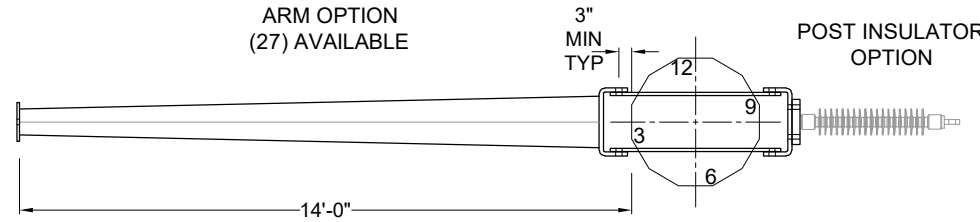
SECTION G-G
FLANGE PLATE 6002



ARM OR POST INSULATOR BRACKET
MOUNTING PLATE DETAIL



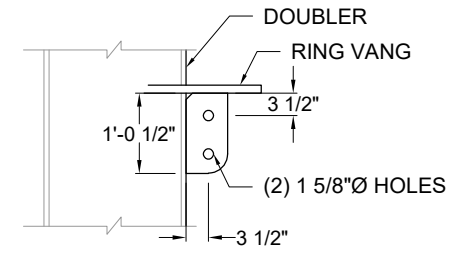
END VANG
5/8" X 9" X 1'-0 1/2"



SECTION D-D
ARM OR POST INSULATOR BRACKET
MOUNTING PLATES

ESP-DE
STR NO.
STS
MGF DATE
ASSY NO.
JOB NO.

IDENTIFICATION
5FT ABOVE GRADE

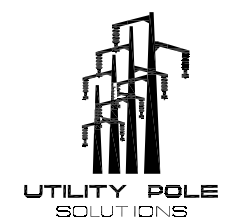


GUYING GUSSET DETAIL

POLE DATA TABLE	
POLE FINISH:	GALVANIZED
POLE TYPE:	ESP
POLE ALIGNMENT:	ALIGN SECTION ID TAGS
FLANGE BOLT TIGHTENING:	1/3 TURN BEYOND SNUG TIGHT
POLE QUANTITY:	(37) AVAILABLE

REV	DESCRIPTION	REVISION RECORD	DRAFTER	DATE	DESIGNED	DATE	CHECKED	DATE	APPROVED	DATE
5										
4										
3										
2										
1										
0	INITIAL DESIGN FOR CUSTOMER REVIEW		BHM	3/16/22	ULD	3/16/22	ULD	3/16/22	ULD	3/16/22

EMERGENCY RESTORATION POLE
145' to 245' DIRECT BURY
RATED UP TO 500KV
STEEL POLE DETAILS



SHEET NUMBER
1
OF
1

DWG. NO.: 145FT-245FT SCALE: NONE
CUSTOMER PO: 0