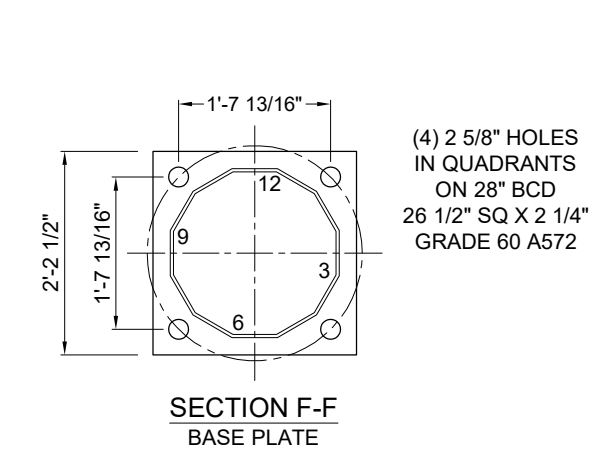
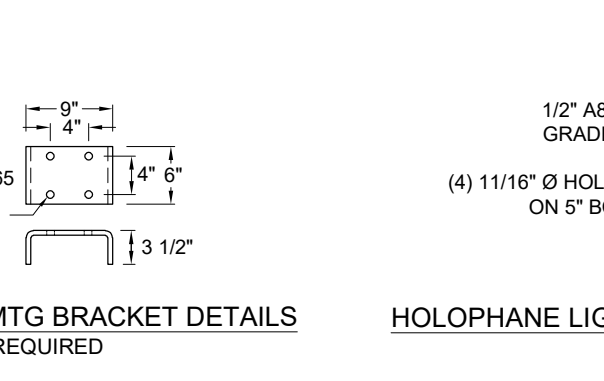
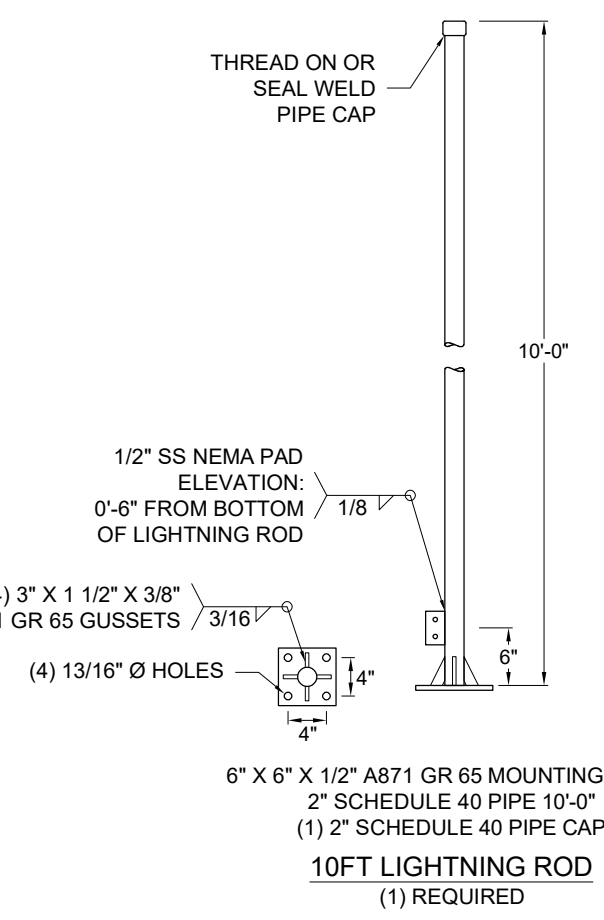
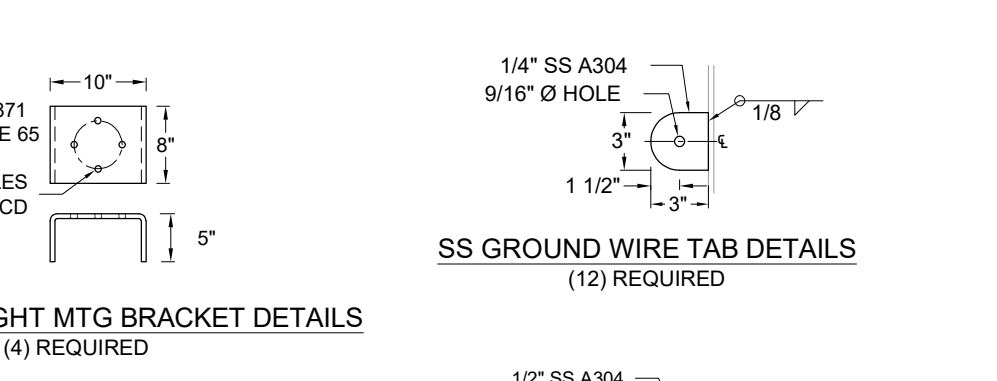
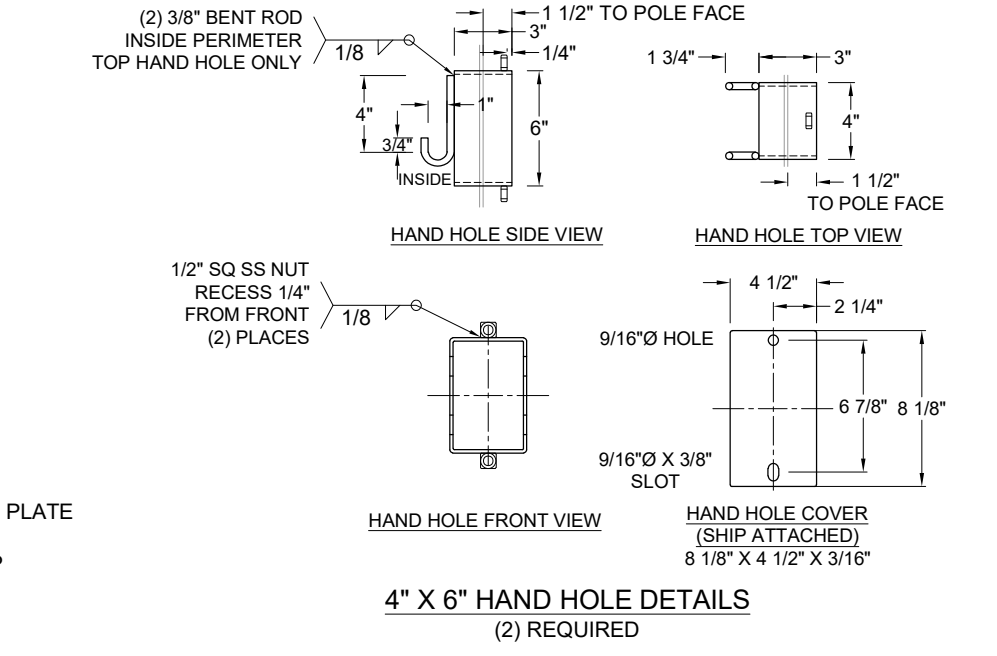


**60 FT  
3905 LB  
IDENTIFICATION**  
1 3/4" WELD BEAD  
5FT ABOVE GRADE &  
HEIGHT ONLY  
BOTTOM OF TOP SECTION



POLE COMPONENT INFORMATION				
ITEM	QTY.	DESCRIPTION	WT. EACH	
1	1	STEEL POLE TOP SECTION 25'-0" LONG	1,080	
2	1	STEEL POLE BOTTOM SECTION 35'-0" LONG	2,760	
3	1	10'-0" LIGHTNING ROD	65	
4	4	3/4" X 2 1/2" A325 LIGHTNING ROD MOUNTING BOLT WITH HH NUT		
5	12	1" X 5" A325 FLANGE PLATE BOLTS W/ HH NUT & MF LOCK NUT		
TOTAL WEIGHT			3,905 LB	



POLE DATA TABLE			
POLE FINISH:	PAINT OVER GALVANIZED		
POLE TYPE:	WINTERS60		
POLE ALIGNMENT:	ALIGN POLE NUMBER ID WELD BEAD		
FLANGE BOLT TIGHTENING:	1/3 TURN BEYOND SNUG TIGHT		
ANCHOR BOLT TIGHTENING:	1/6 TURN BEYOND SNUG TIGHT		
POLE QUANTITY:	(3) REQUIRED		

REV	DESCRIPTION	REVISION RECORD	DRAFTR	DATE	DESIGNED	DATE	CKED	DATE	APPD	DATE
5										
4										
3										
2										
1	ADDED GROUND WIRE TABS		BHM	11/24/23	ULD	11/24/23	ULD	11/24/23	ULD	11/24/23
0	INITIAL DESIGN FOR CUSTOMER REVIEW		BHM	11/22/23	ULD	11/22/23	ULD	11/22/23	ULD	11/22/23

**60FT LIGHTNING MAST  
STEEL POLE DETAILS**

DWG. NO.: 60FT LIGHTNING MAST

SCALE: NONE

SHEET NUMBER

1

OF

1