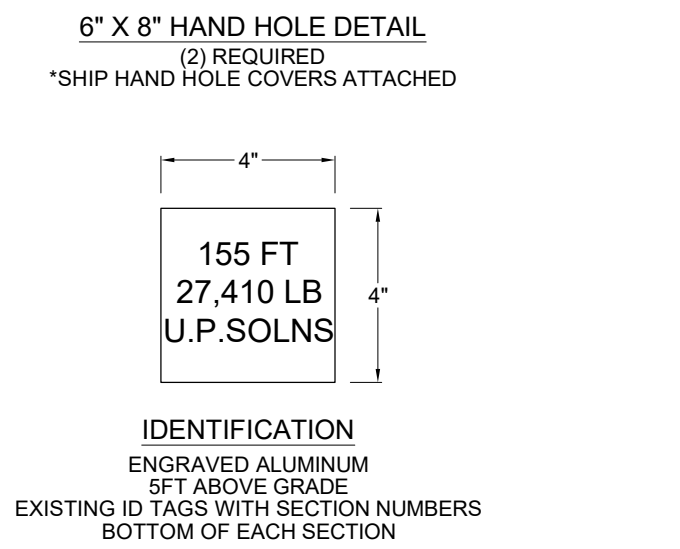
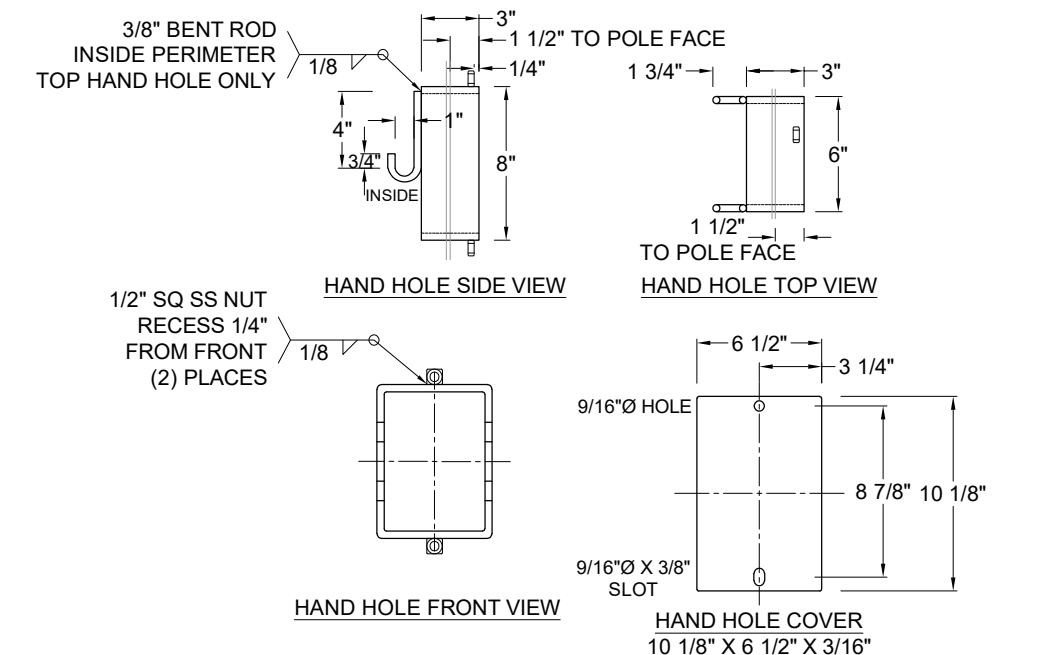


POLE COMPONENT INFORMATION				
ITEM	QTY.	DESCRIPTION	WT. EACH	
1	1	STEEL POLE TOP SECTION 53'-6" LONG (3005)	5,489	
2	1	STEEL POLE MIDDLE SECTION 50'-0" LONG (3006)	7,006	
3	1	STEEL POLE MIDDLE SECTION 47'-6" LONG (3009)	10,145	
4	1	STEEL POLE BOTTOM SECTION 22'-9" LONG (3010)	4,770	
5	23	CLIMBING LADDER, MCGREGOR, PAINTED GALVANIZED	25	
6	2	WORKING LADDER, MCGREGOR, PAINTED GALVANIZED	25	
7	1	TUF-TUG MONOPOLE CABLE SAFE CLIMB SYSTEM (SHIPPING SEPARATELY)		
<b>TOTAL WEIGHT</b>			<b>27,410 LB</b>	



POLE DATA TABLE	
POLE FINISH:	GALVANIZED
POLE TYPE:	CPTV155
POLE ALIGNMENT:	ALIGN POLE NUMBER ID TAGS FLAT 5-6
SLIP JOINT JACKING FORCE:	12 TONS PER SIDE
POLE QUANTITY:	(1) REQUIRED

REV	DESCRIPTION	REVISION RECORD	DRAFTR	DATE	DESIGNED	DATE	CKED	DATE	APPD	DATE
5										
4										
3										
2										
1										
0	INITIAL DESIGN FOR CUSTOMER REVIEW		BHM	1/16/24	ULD	1/16/24	ULD	1/16/24	ULD	1/16/24

**155FT COMMUNICATIONS POLE STEEL POLE DETAILS**

DWG. NO.: 155FT COMMUNICATIONS POLE SCALE: NONE

SHEET NUMBER 1 OF 1