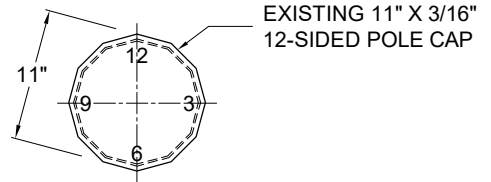
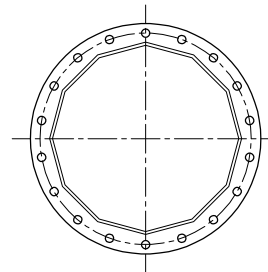


POLE COMPONENT INFORMATION			
ITEM	QTY.	DESCRIPTION	WT. EACH
1	1	STEEL POLE TOP SECTION 47'-6" LONG	3,500
2	1	STEEL POLE BOTTOM SECTION 37'-6" LONG	5,100
TOTAL WEIGHT			8,600 LB

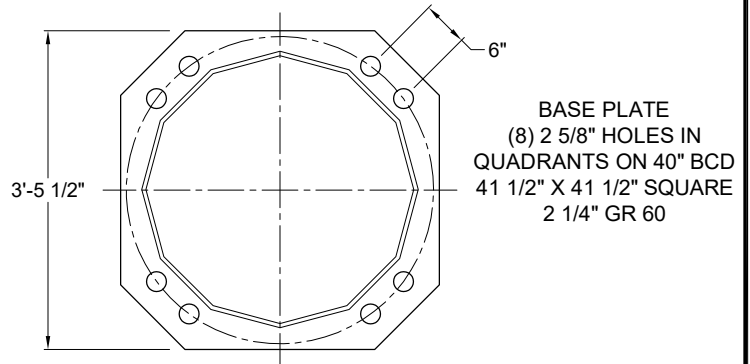
ALL OF OUR INVENTORY CAN BE MODIFIED TO FIT YOUR SPECIFICATIONS, INCLUDING VANGS, ARM CONNECTIONS, GROUNDING, AND PRE-DRILLED HOLES.



SECTION A-A  
POLE CAP



SECTION B-B  
FLANGE PLATE



SECTION C-C  
BASE PLATE

85FT CORTEN  
POLE TYPE: PP85  
POLE WEIGHT: 8,600 LB  
(15) AVAILABLE

