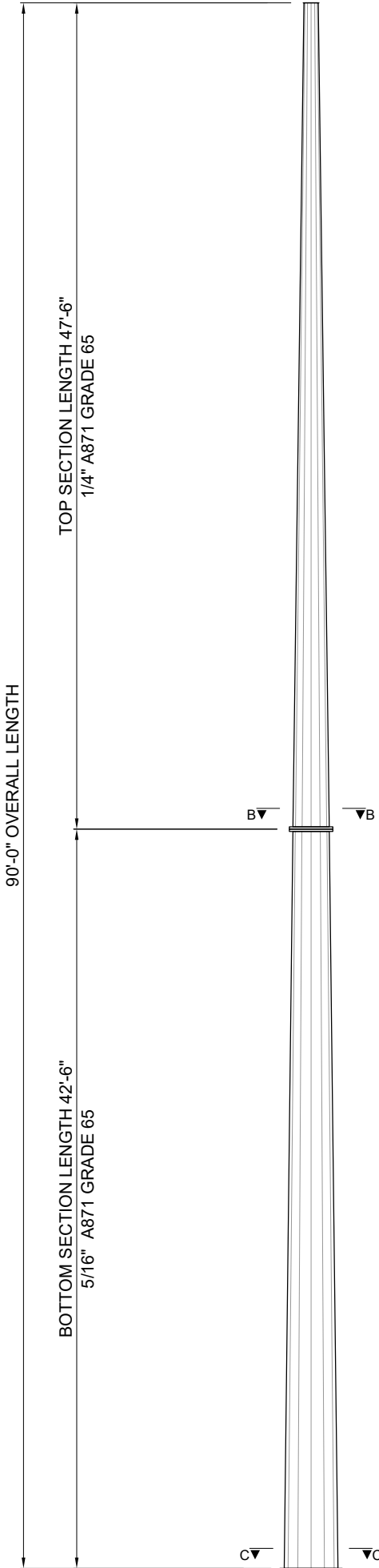


POLE TOP DIAM.  
9.75" AF 12-SIDED

A▼ ▼A



TOP SECTION LENGTH 47'-6"  
1/4" A871 GRADE 65

90'-0" OVERALL LENGTH

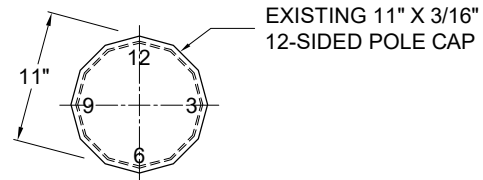
BOTTOM SECTION LENGTH 42'-6"  
5/16" A871 GRADE 65

POLE BASE DIAM.  
35.74" AF 12-SIDED

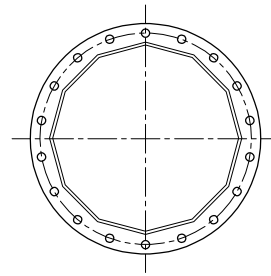
C▼ ▼C

| POLE COMPONENT INFORMATION |      |                                       |          |
|----------------------------|------|---------------------------------------|----------|
| ITEM                       | QTY. | DESCRIPTION                           | WT. EACH |
| 1                          | 1    | STEEL POLE TOP SECTION 47'-6" LONG    | 3,500    |
| 2                          | 1    | STEEL POLE BOTTOM SECTION 42'-6" LONG | 5,500    |
| TOTAL WEIGHT               |      |                                       | 9,000 LB |

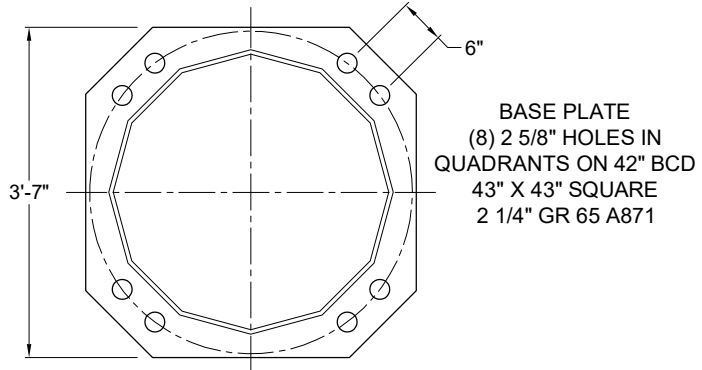
ALL OF OUR INVENTORY CAN BE MODIFIED TO FIT YOUR SPECIFICATIONS, INCLUDING VANGS, ARM CONNECTIONS, GROUNDING, AND PRE-DRILLED HOLES.



SECTION A-A  
POLE CAP



SECTION B-B  
FLANGE PLATE



SECTION C-C  
BASE PLATE

90FT CORTEN  
POLE TYPE: PP90  
POLE WEIGHT: 9,000 LB  
(10) AVAILABLE

