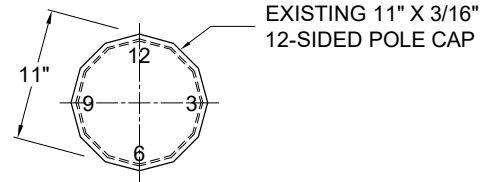
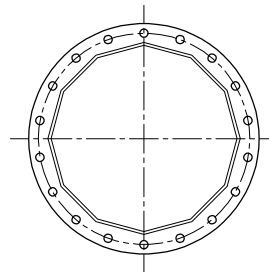


POLE COMPONENT INFORMATION			
ITEM	QTY.	DESCRIPTION	WT. EACH
1	1	STEEL POLE TOP SECTION 47'-6" LONG	3,500
2	1	STEEL POLE BOTTOM SECTION 47'-6" LONG	6,100
TOTAL WEIGHT			9,600 LB

ALL OF OUR INVENTORY CAN BE MODIFIED TO FIT YOUR SPECIFICATIONS, INCLUDING VANGS, ARM CONNECTIONS, GROUNDING, AND PRE-DRILLED HOLES.

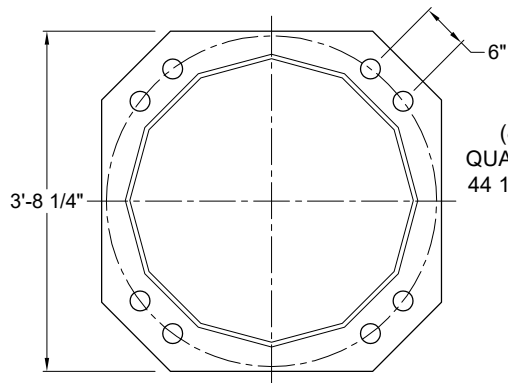


**SECTION A-A**  
POLE CAP



FLANGE PLATE  
(18) 1 1/8" Ø HOLES  
ON 27 1/2" BCD  
30" Ø X 1 5/8"  
GRADE 60

**SECTION B-B**  
FLANGE PLATE



BASE PLATE  
(8) 2 5/8" HOLES IN  
QUADRANTS ON 43" BCD  
44 1/4" X 44 1/4" SQUARE  
2 3/8" GR 65 A871

**SECTION C-C**  
BASE PLATE

95FT CORTEN  
POLE TYPE: PP95  
POLE WEIGHT: 9,600 LB  
(5) AVAILABLE

